

# Universal Tablet Stand

PAD21-04

The Universal Tablet Stand is a versatile tablet stand that can hold numerous tablet styles. It can be positioned in either portrait or landscape configurations. Security screws and lock make the unit both durable and theft resistant. For extra security, the base can also be bolted to the floor.



## features and benefits:

- Displays numerous tablet styles
- Can be positioned in either portrait or landscape view
- Features adjustable height, telescopic pole
- Base made from steel
- Quick to set up
- Security screws/ Allen key and bolts make unit both durable and theft resistant
- Unit can be bolted to floor for extra security
- One year hardware warranty against manufacturer defects

## dimensions:

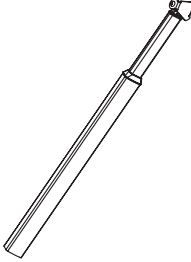



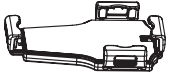







Hardware	Shipping
<p>Assembled unit: Landscape view: 17.38" w x 28.06 - 49.81" h x 13.75" d 441.45mm(w) x 712.72 - 1265.17 mm(h) x 349.25mm(d)</p> <p>Portrait view: 17.38" w x 28.88 - 49.13" h x 13.75" d 441.45mm(w) x 733.55 - 1247.9mm(h) x 349.25mm(d)</p>	<p>Shipping dimensions - unit ships in 1 box: 26" l x 15" h x 4" d 660mm(l) x 381mm(h) x 102mm(d)</p> <p>Shipping weight: 10 lbs. / 4.54 kgs</p>

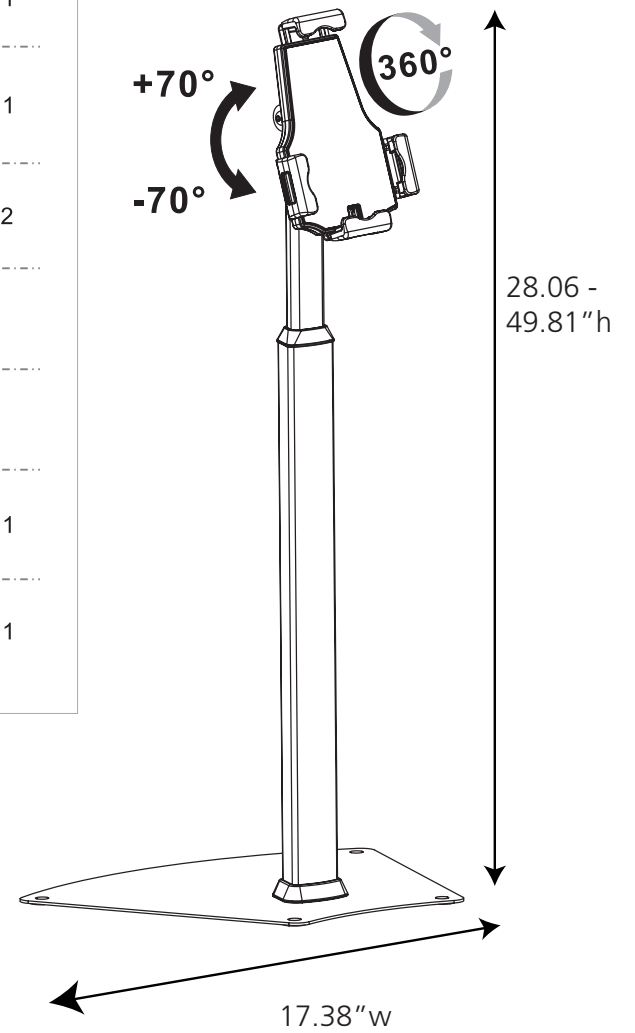
## additional information:

- Tablet Holder Min/Max Sizes:
- Min: 5.25" w x 7.63" h x .63" d  
133mm(w) x 193mm(h) x 16mm(d)
- Max: 7.25" w x 10.25" h x .63" d  
184mm(w) x 260mm(h) x 16mm(d)
- Storing tablet in the unit during transit is not recommended
  - Packaged well in foam protective covering
  - Unit cannot be shipped in molded case due to parts possibly getting scratched
- \*iPad / tablet not included
- \*Power cord not included

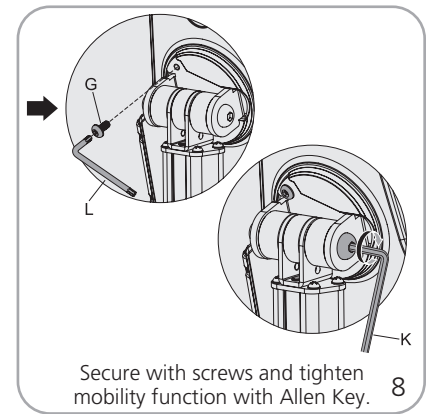
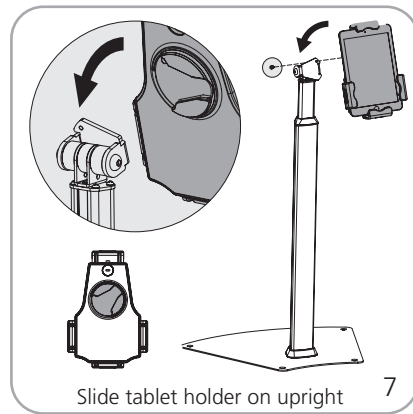
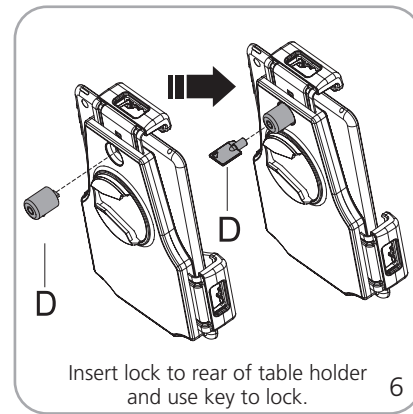
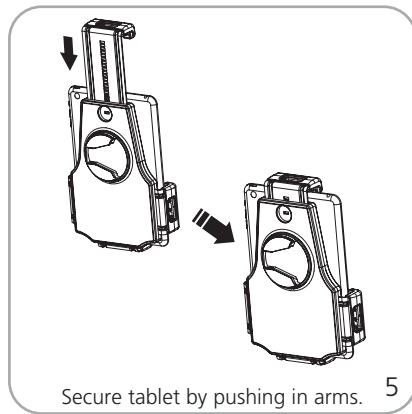
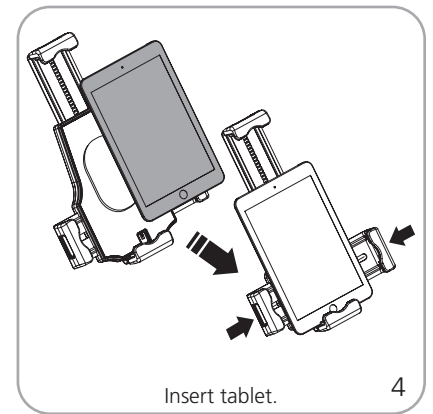
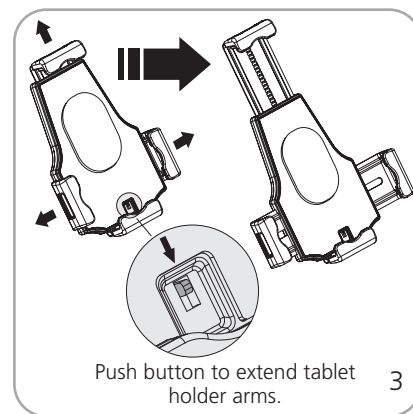
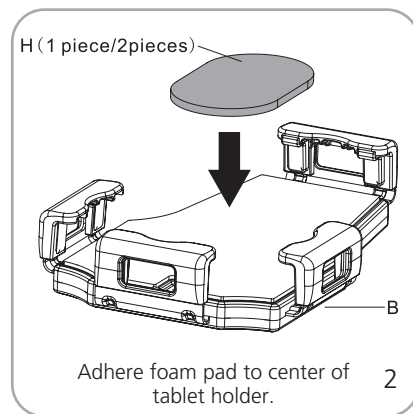
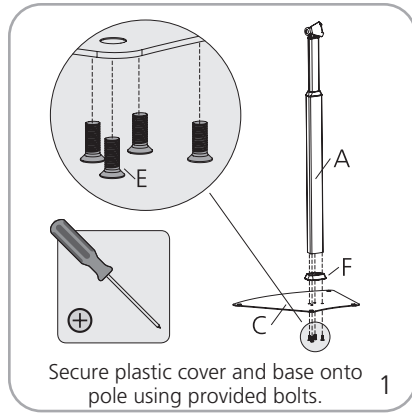
We are continually improving and modifying our product range and reserve the right to vary the specifications without prior notice. All dimensions and weights quoted are approximate and we accept no responsibility for variance. E&OE. See Graphic Templates for graphic bleed specifications.

**Parts Included:**

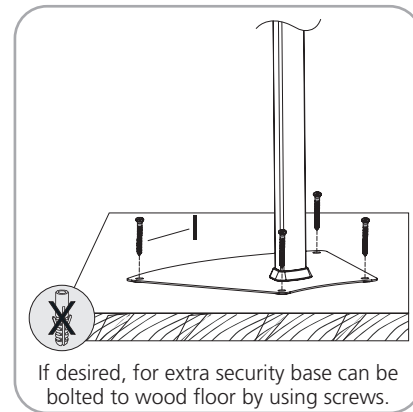
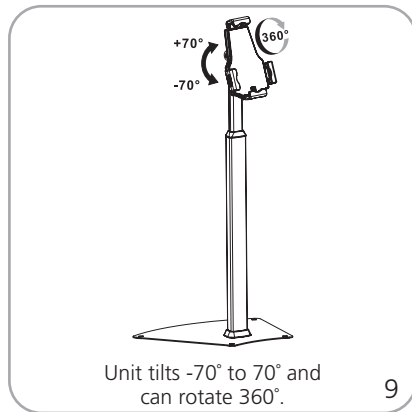
Part No. / Description	Qty	Part No. / Description	Qty
 A pole	1	F  plastic pad	1
		G  M5x8(tamper-proof screw)	1
		H  EVA pad	2
B  clamp holder	1	I  ST5.5x38	4
C  base	1	J  concrete anchor	4
D  key	1	K  Allen key	1
E  M6x16	4	L  TORX tool	1



Set-up:



Optional Base Attachment:



Optional Base Attachment:

